

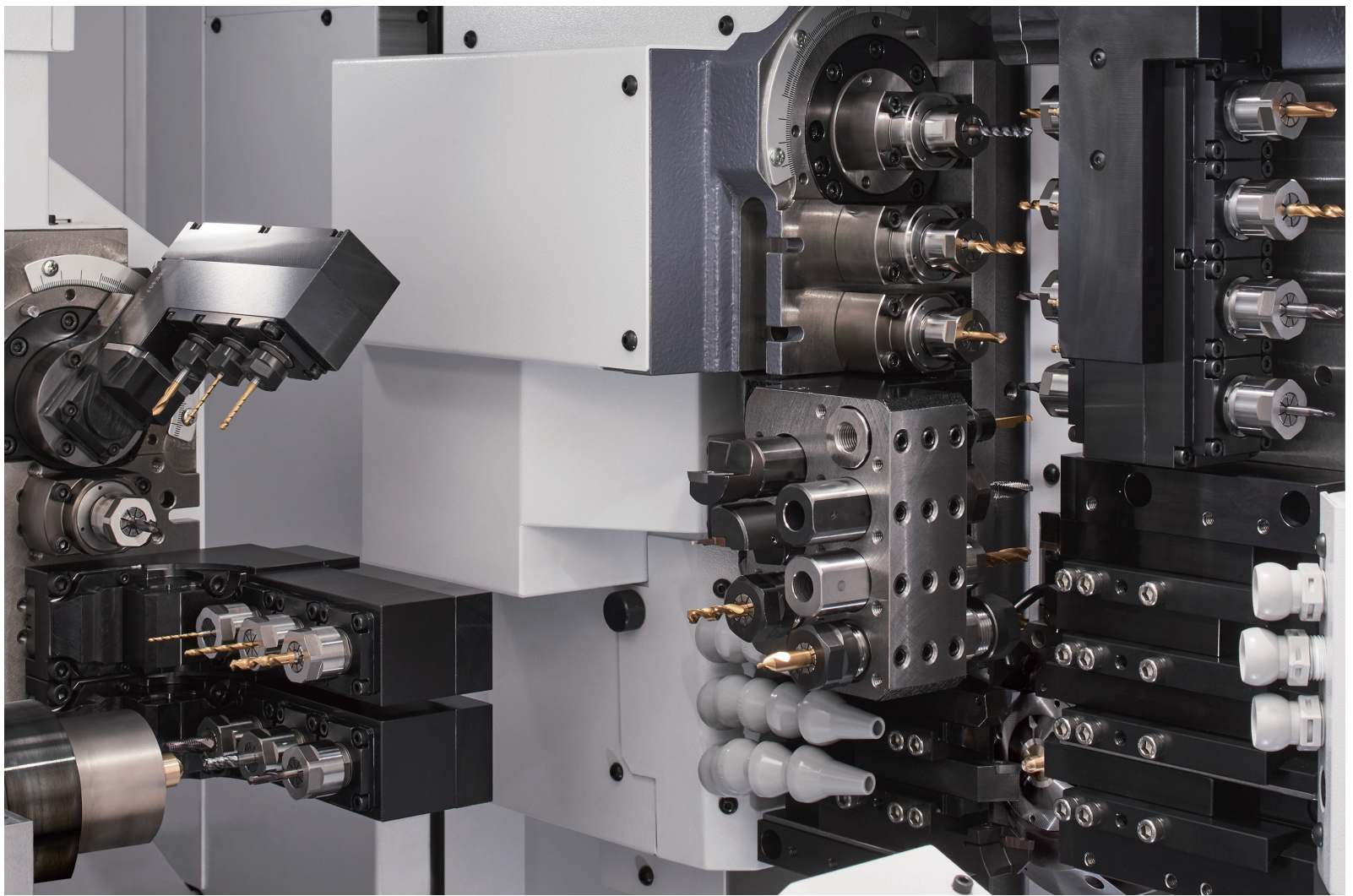
CITIZEN

Cincom

D25

Sliding Headstock Type CNC Automatic Lathe





Introducing Citizen's newest development, the D25, equipped with double gang tool posts and B axis. The double gang layout enables short cycle times for high productivity at low part cost. The large number of tools, for both main and sub spindle, gives cost effective production of complex workpieces.



- Next generation CNC system with touch screen and qwerty keyboard. Easy set up with on screen graphical prompts. Ready for 'internet of things'.
- 3 x Y axis, 3 x Z axis.
- B axis for front-back machining.
- Independent adjustable angle rotary tools to sub spindle.
- Power and speed: 5.5kW and 10,000 rpm.
- Up to 59 tools.
- With/without guide bush - switchable operation.

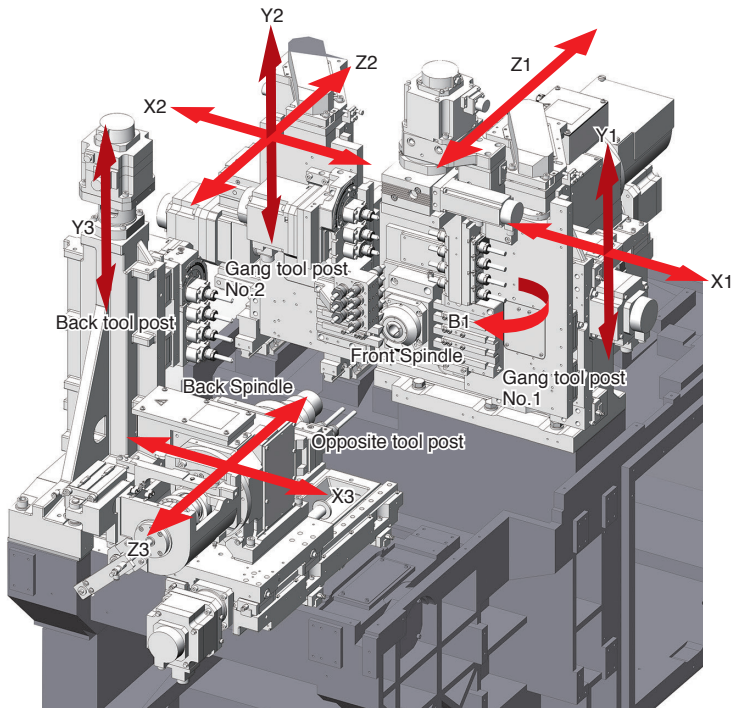
Axis structure and tool layout

Z2 axis to 2nd gang for opposed balance cutting to 1st gang and for simultaneous rough and finish machining.

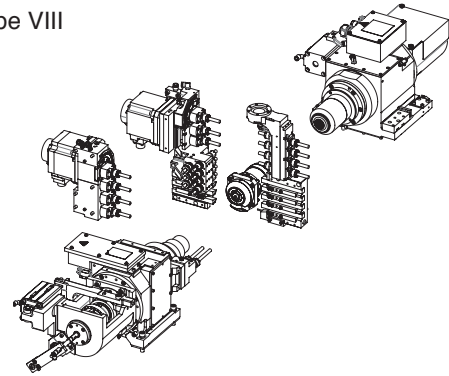
Back tool post (Y3 axis) accepts radial or face modular

fixed/rotary tools and is equipped with adjustable rotary tool for face, radial or angle machining.

Type VIII has B axis to 1st gang for complex machining on main and sub spindles.



Type VIII



Tooling			VIII 9 axis + B axis
Turning holder	DTF116	4 Tools (16 mm sq./ Cut-off: 19 mm sq.)	STD
	DTF216	3Tools (16 mm sq.)	STD
Sleeve holder	DDF101	4 Front + 7 Back (25.4 mm dia.)	STD
	U31B(S4)	3 Rotary tools 1 Adjustable rotary tool (0 - 90 deg.)	STD
	U32B(S3)	4 Rotary tools B-axis (0 - 135 deg.)	STD
Back rotary tool	U151B(S5)	4 Rotary tools	STD
Opposite tool post	U120B	2 Fixed tools (19.05 mm dia.)	OPT

B axis (Type VIII)

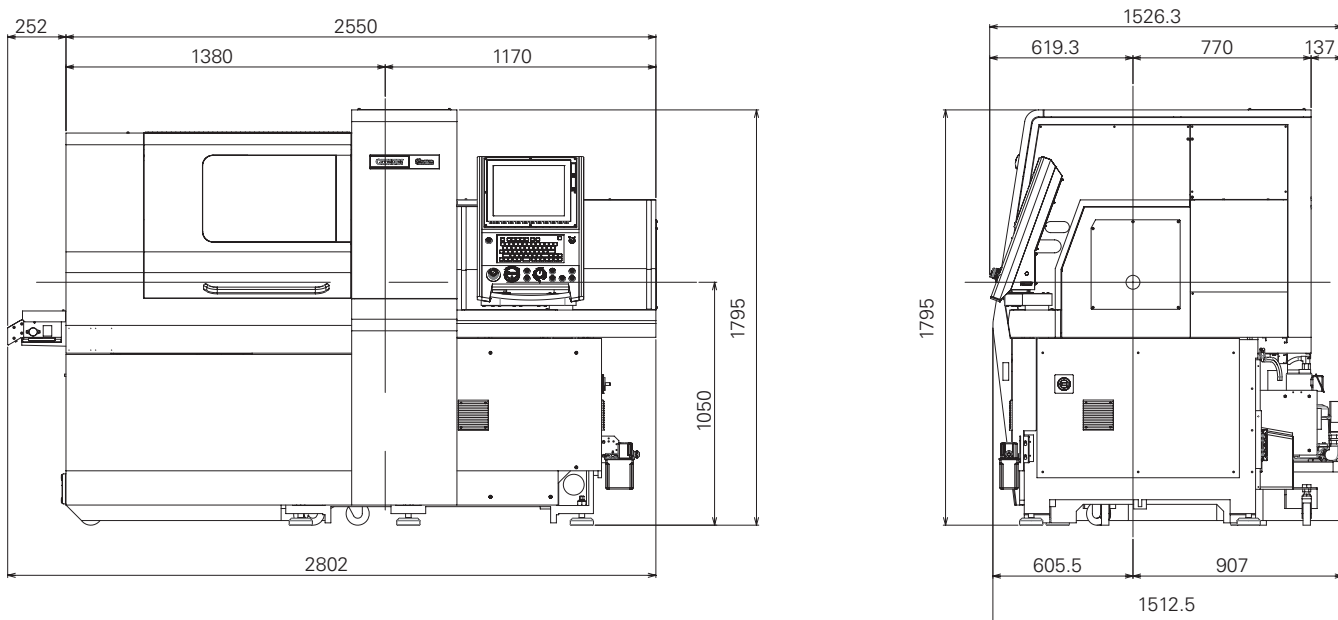


4 x double ended spindles, 0-135 deg, usable for both main and sub spindles.

Machine specification

Item	D25
	Type VIII (D25-1M8)
Max. machining diameter (D)	25 mm dia.
Max. machining length (L)	
Fixed guide bushing	250 mm
Guide bushing less	2.5 D
Spindle speed	Max. 10,000 min ⁻¹
Spindle speed of the gang rotary tool	Max. 9,000 min ⁻¹
Max. chuck diameter of back spindle	25 mm dia.
Max. protrusion length of the back spindle workpiece	50 mm
Back spindle speed	Max. 10,000 min ⁻¹
Number of tools to be mounted	43
Tool size	
Tool (gang)	16 mm sq. , 19 mm sq.
Sleeve	25.4 mm dia.
Rapid feed rate	
Z2	24 m/ min
Others	32 m/ min
Motor	
for spindle drive	3.7/ 5.5 kW
for rotary tool on the gang tool post	2.2 kW
for back spindle drive	2.2/ 3.7 kW
Back tool post rotary drive	1.0 kW
Rated power consumption	13.2 kVA
Centre height	1,050 mm
Weight	3,450 kg

External view



CITIZEN

CITIZEN MACHINERY CO., LTD.

Japan Citizen Machinery Co Ltd
4017-6 Miyota, Miyota-machi, Kitasaku-gun,
Nagano-ken, 389-0206, Japan

Tel: 81-267-32-5901 Fax: 81-267-32-5908

Europe - Germany Citizen Machinery Europe GmbH
Mettinger Strasse 11, D-73728 Esslingen, Germany

Tel: 49-711-3906-100 Fax: 49-711-3906-106

Europe - UK Citizen Machinery UK Ltd
1 Park Avenue, Bushey, WD23 2DA, UK

Tel: 44-1923-691500 Fax: 44-1923-691599

www.citizenmachinery.co.uk

All specifications are subject to change without prior notice. This product is an export control item subject to the foreign exchange and foreign trade act. Thus, before exporting this product, or taking it overseas, contact your CITIZEN machine dealer. Please inform your CITIZEN machine dealer in advance of your intention to re-sell, export or relocate this product. For the avoidance of doubt products includes whole or part, replica or copy, technologies and software. In the event of export, proof of approval to export by government or regulatory authority must be evidenced to CITIZEN. You can operate the machines after the confirmation of CITIZEN. CITIZEN is a registered trademark of Citizen Holdings Co., Japan.